



**BA/BL Series** brass valves are bellows sealed valves that feature a high density forged valve body eliminating porosity issues, virtual leaks, and are a reliable low cost high vacuum valve. The rugged time proven design and simple construction assures both an extensive life cycle as well as ease of maintenance. The **BA/BL** valve series feature high conductance short flow paths which make them perfect for use as foreline valves in nearly all general purpose environments with inert gases such as pumping stations, glove boxes, etc..

**BA/BL Series** valves are offered in right angle and inline versions, with three distinct port styles; NW flanges for mounting to standard ISO components; Female NPT ports 1/8" to 1-1/2" and tube socket weld (3/8" to 2-1/8" tube OD). Socket weld valves can be silver soldered (hard soldered) or soft soldered into place. When installing socket weld valves always remove the complete actuator/bellows assembly; the heat from the soldering operation will damage or destroy the elastometer seals and actuator. Upon completion of soldering, the valve body should be completely glass beaded, polished and cleaned to remove all flux and oxides generated while soldering. Great care should be taken while soldering valves to avoid damaging or destroying the valve seat. Experienced personnel should perform soldering where applicable. In order to minimize outgassing issues, no grease or lubricates should be used on any surface within the vacuum envelope when reinstalling the bellows assembly.

The **BA/BL Series** valves are offered with two different standard poppet seals for both the manual and pneumatic versions. The disk seal valves feature a viton® washer on the poppet. The benefits of this

design are higher dirt carrying ability, larger sealing area and the seal can be "flipped over" to effectively double the life of the seal. The o-ring seal valves feature a viton® o-ring that is incorporated into the poppet itself. The benefit of this design is a minimum of elastometer located within the vacuum envelope; there is a small additional charge for the brass o-ring style poppet valves. Both styles (disk and o-ring) are considered stock items.

Manual valves employ an Acme Thread stem for quick opening and closing of the valve.

Pneumatic valves have double acting air cylinders and 120/60-solenoid standard and require compressed air supply of 50 to 90 psig. Pneumatic **BA/BL Series** valves will close in the incident of a power failure. Other solenoid voltages are obtainable as options. Upon request spring loaded normally closed air cylinders are available (fail safe). Reed switches are also available for pneumatic valves as an option on double acting air cylinders only. Reed switches are commonly utilized for remote position indication of the valve position. When ordering the Reed switch option, voltage requirement must be specified at the time of order as AC and DC switches are not interchangeable.

**BA/BL Series** valves are designed to operate in high vacuum systems at pressures as low as  $5 \times 10^{-8}$  torr. All **BA/BL Series** valves are leak tested on a helium mass spectrometer having minimum sensitivity of  $5 \times 10^{-9}$  torr prior to shipment.

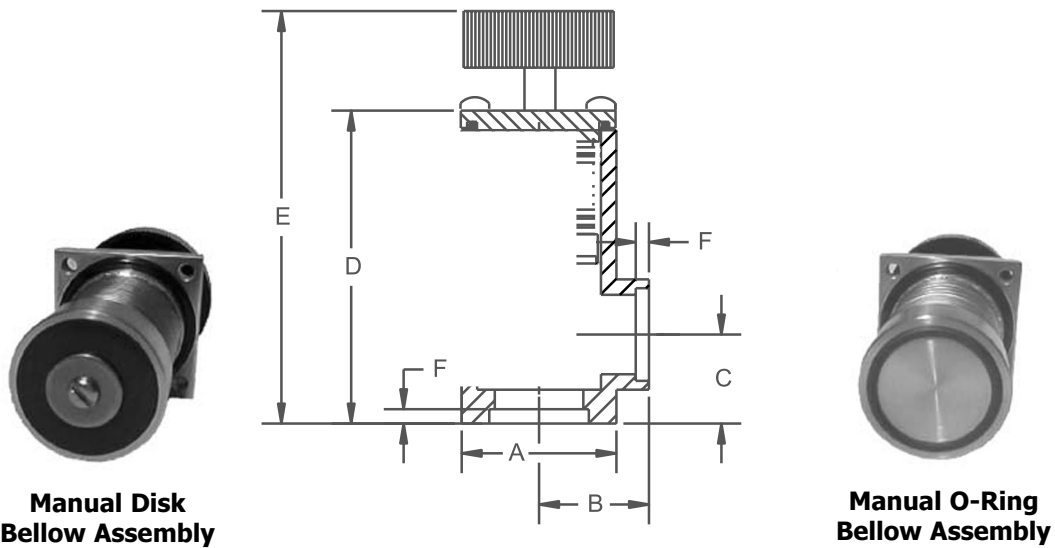
Options include but are not limited to roughing ports, Swagelok® ports, VCR® ports, Gauge ports, etc.. Contact factory for assistance.



# Brass Valves

## Right Angle Valves, Brass, Manual, Socket Weld, Viton® Bonnet and Poppet

Part Number	Poppet	Port Style	A	B	C	D	E	F
<b>BA-37</b>	Disk	3/8" Socket	1.00	.94	.75	2.81	4.25	.18
<b>BA-37-O</b>	O-Ring	3/8" Socket	1.00	.94	.75	2.81	4.25	.18
<b>BA-50</b>	Disk	1/2" Socket	1.00	.94	.75	2.81	4.25	.18
<b>BA-50-O</b>	O-Ring	1/2" Socket	1.00	.94	.75	2.81	4.25	.18
<b>BA-75</b>	Disk	3/4" Socket	1.37	1.31	.87	3.37	5.00	.37
<b>BA-75-O</b>	O-Ring	3/4" Socket	1.37	1.31	.87	3.37	5.00	.37
<b>BA-112</b>	Disk	1-1/8" Socket	2.00	1.68	1.18	4.12	6.10	.37
<b>BA-112-O</b>	O-Ring	1-1/8" Socket	2.00	1.68	1.18	4.12	6.10	.37
<b>BA-162</b>	Disk	1-5/8" Socket	2.50	1.87	1.62	4.62	6.50	.37
<b>BA-162-O</b>	O-Ring	1-5/8" Socket	2.50	1.87	1.62	4.62	6.50	.37
<b>BA-200</b>	Disk	2" Socket	3.00	2.25	2.00	5.25	8.00	.50
<b>BA-200-O</b>	O-Ring	2" Socket	3.00	2.25	2.00	5.25	8.00	.50
<b>BA-212</b>	Disk	2-1/8" Socket	3.00	2.25	2.00	5.25	8.00	.50
<b>BA-212-O</b>	O-Ring	2-1/8" Socket	3.00	2.25	2.00	5.25	8.00	.50



### Manual Disk Bellow Assemblies

Part Number	Fits Valve Series
<b>DB-50</b>	37,50
<b>DB-75</b>	75
<b>DB-112</b>	112
<b>DB-162</b>	162
<b>DB-200</b>	200,212

### Manual O-Ring Bellow Assemblies

Part Number	Fits Valve Series
<b>OB-50</b>	37,50
<b>OB-75</b>	75
<b>OB-112</b>	112
<b>OB-162</b>	162
<b>OB-200</b>	200,212

### Manual Disk Replacement Seal Kits

Part Number	Fits Valve Series
<b>DK-50</b>	37,50
<b>DK-75</b>	75
<b>DK-112</b>	112
<b>DK-162</b>	162
<b>DK-200</b>	200,212

### Manual O-Ring Replacement Seal Kits

Part Number	Fits Valve Series
<b>OK-50</b>	37,50
<b>OK-75</b>	75
<b>OK-112</b>	112
<b>OK-162</b>	162
<b>OK-200</b>	200,212

Please call Key High at 631-360-3970 or email us at [info@KeyHigh.com](mailto:info@KeyHigh.com) for the most up-to-date listing of products and for pricing information.



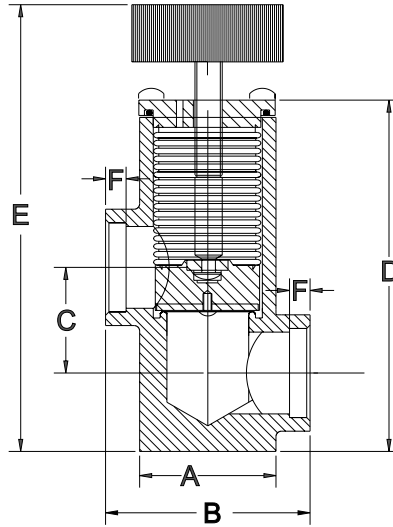
# Brass Valves

## Inline Valves, Brass, Manual, Socket Weld, Viton® Bonnet and Poppet

Part Number	Poppet	Port Style	A	B	C	D	E	F
<b>BL-37</b>	Disk	3/8" Socket	1.00	1.81	.62	3.12	4.50	.18
<b>BL-37-O</b>	O-Ring	3/8" Socket	1.00	1.81	.62	3.12	4.50	.18
<b>BL-50</b>	Disk	1/2" Socket	1.00	1.81	.62	3.12	4.50	.18
<b>BL-50-O</b>	O-Ring	1/2" Socket	1.00	1.81	.62	3.12	4.50	.18
<b>BL-75</b>	Disk	3/4" Socket	1.37	2.62	.84	4.00	5.62	.37
<b>BL-75-O</b>	O-Ring	3/4" Socket	1.37	2.62	.84	4.00	5.62	.37
<b>BL-112</b>	Disk	1-1/8" Socket	2.00	3.37	1.28	5.00	7.20	.37
<b>BL-112-O</b>	O-Ring	1-1/8" Socket	2.00	3.37	1.28	5.00	7.20	.37
<b>BL-162</b>	Disk	1-5/8" Socket	2.50	3.75	1.93	6.37	8.56	.37
<b>BL-162-O</b>	O-Ring	1-5/8" Socket	2.50	3.75	1.93	6.37	8.56	.37
<b>BL-200</b>	Disk	2" Socket	3.00	4.62	2.00	6.87	9.43	.50
<b>BL-200-O</b>	O-Ring	2" Socket	3.00	4.62	2.00	6.87	9.43	.50
<b>BL-212</b>	Disk	2-1/8" Socket	3.00	4.62	2.00	6.87	9.43	.50
<b>BL-212-O</b>	O-Ring	2-1/8" Socket	3.00	4.62	2.00	6.87	9.43	.50



**Manual Disk Bellow Assembly**



**Manual O-Ring Bellow Assembly**

### Manual Disk Bellow Assemblies

Part Number	Fits Valve Series
<b>DB-50</b>	37,50
<b>DB-75</b>	75
<b>DB-112</b>	112
<b>DB-162</b>	162
<b>DB-200</b>	200,212

### Manual O-Ring Bellow Assemblies

Part Number	Fits Valve Series
<b>OB-50</b>	37,50
<b>OB-75</b>	75
<b>OB-112</b>	112
<b>OB-162</b>	162
<b>OB-200</b>	200,212

### Manual Disk Replacement Seal Kits

Part Number	Fits Valve Series
<b>DK-50</b>	37,50
<b>DK-75</b>	75
<b>DK-112</b>	112
<b>DK-162</b>	162
<b>DK-200</b>	200,212

### Manual O-Ring Replacement Seal Kits

Part Number	Fits Valve Series
<b>OK-50</b>	37,50
<b>OK-75</b>	75
<b>OK-112</b>	112
<b>OK-162</b>	162
<b>OK-200</b>	200,212



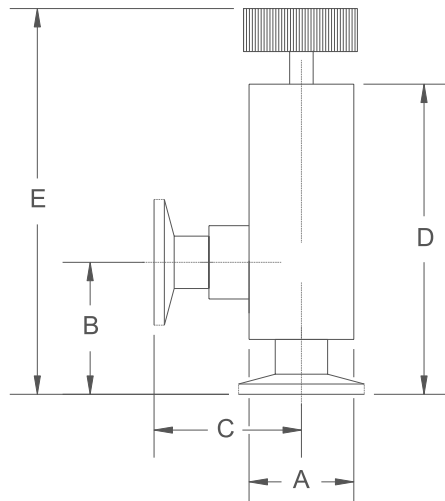
# Brass Valves

## Right Angle Valves, Brass, Manual, NW Flanges, Viton® Bonnet and Poppet

Part Number	Poppet	Port Style	A	B	C	D	E
BA-37-K	Disk	NW 10	1.00	1.37	1.37	2.81	4.25
BA-37-K-O	O-Ring	NW 10	1.00	1.37	1.37	2.81	4.25
BA-50-K	Disk	NW 16	1.00	1.37	1.37	2.81	4.25
BA-50-K-O	O-Ring	NW 16	1.00	1.37	1.37	2.81	4.25
BA-75-K	Disk	NW 16	1.37	1.56	1.56	4.00	5.50
BA-75-K-O	O-Ring	NW 16	1.37	1.56	1.56	4.00	5.50
BA-112-K	Disk	NW 25	2.00	1.87	1.87	4.67	7.00
BA-112-K-O	O-Ring	NW 25	2.00	1.87	1.87	4.67	7.00
BA-162-K	Disk	NW 40	2.50	2.37	2.37	5.37	7.12
BA-162-K-O	O-Ring	NW 40	2.50	2.37	2.37	5.37	7.12
BA-200-K	Disk	NW 50	3.00	2.37	2.37	5.25	8.10
BA-200-K-O	O-Ring	NW 50	3.00	2.37	2.37	5.25	8.10



Manual Disk Bellow Assembly



Manual O-Ring Bellow Assembly

### Manual Disk Bellow Assemblies

Part Number	Fits Valve Series
DB-50	37,50
DB-75	75
DB-112	112
DB-162	162
DB-200	200,212

### Manual O-Ring Bellow Assemblies

Part Number	Fits Valve Series
OB-50	37,50
OB-75	75
OB-112	112
OB-162	162
OB-200	200,212

### Manual Disk Replacement Seal Kits

Part Number	Fits Valve Series
DK-50	37,50
DK-75	75
DK-112	112
DK-162	162
DK-200	200,212

### Manual O-Ring Replacement Seal Kits

Part Number	Fits Valve Series
OK-50	37,50
OK-75	75
OK-112	112
OK-162	162
OK-200	200,212

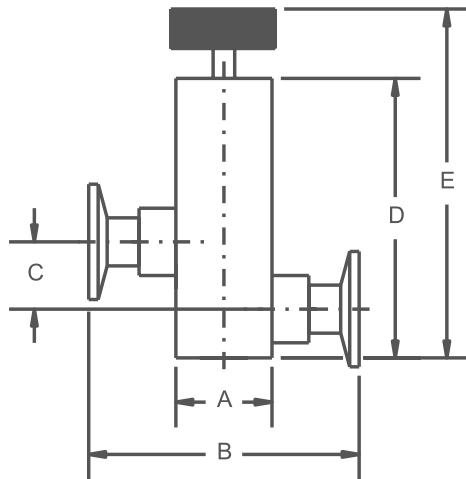
# Brass Valves

## Inline Valves, Brass, Manual, NW Flanges, Viton® Bonnet and Poppet

Part Number	Poppet	Port Style	A	B	C	D	E
BL-37-K	Disk	NW 10	1.00	2.56	.62	3.12	4.50
BL-37-K-O	O-Ring	NW 10	1.00	2.25	.62	3.12	4.50
BL-50-K	Disk	NW 16	1.00	3.12	.62	3.12	4.50
BL-50-K-O	O-Ring	NW 16	1.00	3.12	.62	3.12	4.50
BL-75-K	Disk	NW 16	1.37	3.87	.84	4.00	5.62
BL-75-K-O	O-Ring	NW 16	1.37	3.87	.84	4.00	5.62
BL-112-K	Disk	NW 25	2.00	4.56	1.28	5.00	7.20
BL-112-K-O	O-Ring	NW 25	2.00	4.56	1.28	5.00	7.20
BL-162-K	Disk	NW 40	2.50	5.25	1.93	6.37	8.56
BL-162-K-O	O-Ring	NW 40	2.50	5.25	1.93	6.37	8.56
BL-200-K	Disk	NW 50	3.00	5.37	2.00	6.87	9.43
BL-200-K-O	O-Ring	NW 50	3.00	5.37	2.00	6.87	9.43



Manual Disk  
Bellow Assembly



Manual O-Ring  
Bellow Assembly

### Manual Disk Bellow Assemblies

Part Number	Fits Valve Series
DB-50	37,50
DB-75	75
DB-112	112
DB-162	162
DB-200	200,212

### Manual O-Ring Bellow Assemblies

Part Number	Fits Valve Series
OB-50	37,50
OB-75	75
OB-112	112
OB-162	162
OB-200	200,212

### Manual Disk Replacement Seal Kits

Part Number	Fits Valve Series
DK-50	37,50
DK-75	75
DK-112	112
DK-162	162
DK-200	200,212

### Manual O-Ring Replacement Seal Kits

Part Number	Fits Valve Series
OK-50	37,50
OK-75	75
OK-112	112
OK-162	162
OK-200	200,212



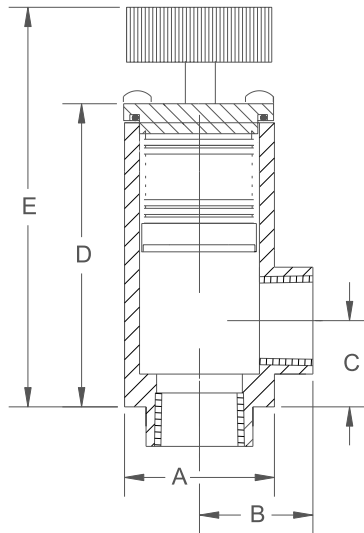
# Brass Valves

## Right Angle Valves, Brass, Manual, Female Pipe Thread, Viton® Bonnet and Seal

Part Number	Poppet	Port Style	A	B	C	D	E
<b>BAP-12</b>	Disk	1/8" Female NPT	1.00	.94	.75	2.81	4.25
<b>BAP-12-O</b>	O-Ring	1/8" Female NPT	1.00	.94	.75	2.81	4.25
<b>BAP-25</b>	Disk	1/4" Female NPT	1.00	.94	.75	2.81	4.25
<b>BAP-25-O</b>	O-ring	1/4" Female NPT	1.00	.94	.75	2.81	4.25
<b>BAP-37</b>	Disk	3/8" Female NPT	1.37	1.31	.87	2.81	4.25
<b>BAP-37-O</b>	O-Ring	3/8" Female NPT	1.00	.94	.75	2.81	4.25
<b>BAP-50</b>	Disk	1/2" Female NPT	1.37	1.31	.87	3.37	5.00
<b>BAP-50-O</b>	O-Ring	1/2" Female NPT	1.37	1.31	.87	3.37	5.00
<b>BAP-75</b>	Disk	3/4" Female NPT	2.00	1.68	1.18	4.95	7.00
<b>BAP-75-O</b>	O-Ring	3/4" Female NPT	2.00	1.68	1.18	4.95	7.00
<b>BAP-100</b>	Disk	1" Female NPT	2.00	1.68	1.18	4.95	7.00
<b>BAP-100-O</b>	O-Ring	1" Female NPT	2.00	1.68	1.62	4.62	6.50
<b>BAP-150</b>	Disk	1-1/2" Female NPT	2.50	2.62	2.37	5.55	7.31
<b>BAP-150-O</b>	O-Ring	1-1/2" Female NPT	2.50	2.62	2.37	5.55	7.31



**Manual Disk  
Bellow Assembly**



**Manual O-Ring  
Bellow Assembly**

### Manual Disk Bellow Assemblies

Part Number	Fits Valve Series
<b>DB-50</b>	12,25
<b>DB-75</b>	37,50
<b>DB-112</b>	75,100
<b>DB-162</b>	150

### Manual O-Ring Bellow Assemblies

Part Number	Fits Valve Series
<b>OB-50</b>	12,25
<b>OB-75</b>	37,50
<b>OB-112</b>	75,100
<b>OB-162</b>	150

### Manual Disk Replacement Seal Kits

Part Number	Fits Valve Series
<b>DK-50</b>	12,25
<b>DK-75</b>	37,50
<b>DK-112</b>	75,100
<b>DK-162</b>	150

### Manual O-Ring Replacement Seal Kits

Part Number	Fits Valve Series
<b>OK-50</b>	12,25
<b>OK-75</b>	37,50
<b>OK-112</b>	75,100
<b>OK-162</b>	150

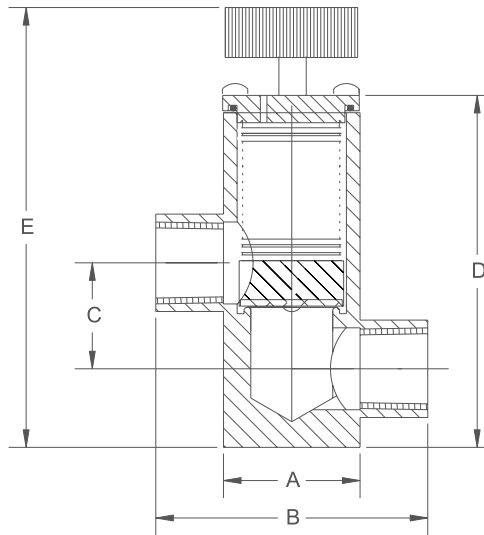
# Brass Valves

## Inline Valves, Brass, Manual, Female Pipe Thread, Viton® Bonnet and Seal

Part Number	Poppet	Port Style	A	B	C	D	E
<b>BLP-12</b>	Disk	1/8" Female NPT	1.00	1.81	.62	3.12	4.50
<b>BLP-12-O</b>	O-Ring	1/8" Female NPT	1.00	1.81	.62	3.12	4.50
<b>BLP-25</b>	Disk	1/4" Female NPT	1.00	1.81	.62	3.12	4.50
<b>BLP-25-O</b>	O-Ring	1/4" Female NPT	1.00	1.81	.62	3.12	4.50
<b>BLP-37</b>	Disk	3/8" Female NPT	1.37	2.62	.84	4.00	5.62
<b>BLP-37-O</b>	O-Ring	3/8" Female NPT	1.37	2.62	.84	4.00	5.62
<b>BLP-50</b>	Disk	1/2" Female NPT	1.37	2.62	.84	4.00	5.62
<b>BLP-50-O</b>	O-Ring	1/2" Female NPT	1.37	2.62	.84	4.00	5.62
<b>BLP-75</b>	Disk	3/4" Female NPT	2.00	3.37	1.28	5.00	7.20
<b>BLP-75-O</b>	O-Ring	3/4" Female NPT	2.00	3.37	1.28	5.00	7.20
<b>BLP-100</b>	Disk	1" Female NPT	2.00	3.37	1.28	5.00	7.20
<b>BLP-100-O</b>	O-Ring	1" Female NPT	2.00	3.37	1.28	5.00	7.20
<b>BLP-150</b>	Disk	1-1/2" Female NPT	2.50	3.75	1.93	6.37	8.56
<b>BLP-150-O</b>	O-Ring	1-1/2" Female NPT	2.50	3.75	1.93	6.37	8.56



**Manual Disk Bellow Assembly**



**Manual O-Ring Bellow Assembly**

### Manual Disk Bellow Assemblies

Part Number	Fits Valve Series
<b>DB-50</b>	12,25
<b>DB-75</b>	37,50
<b>DB-112</b>	75,100
<b>DB-162</b>	150

### Manual O-Ring Bellow Assemblies

Part Number	Fits Valve Series
<b>OB-50</b>	12,25
<b>OB-75</b>	37,50
<b>OB-112</b>	75,100
<b>OB-162</b>	150

### Manual Disk Replacement Seal Kits

Part Number	Fits Valve Series
<b>DK-50</b>	12,25
<b>DK-75</b>	37,50
<b>DK-112</b>	75,100
<b>DK-162</b>	150

### Manual O-Ring Replacement Seal Kits

Part Number	Fits Valve Series
<b>OK-50</b>	12,25
<b>OK-75</b>	37,50
<b>OK-112</b>	75,100
<b>OK-162</b>	150



# Brass Valves

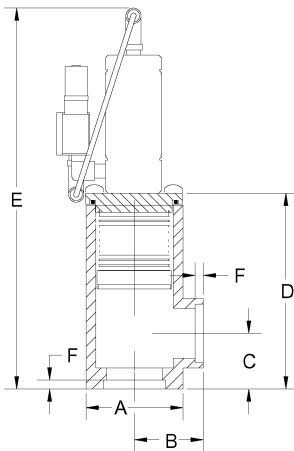
2

## Right Angle Valves, Brass, Electropneumatic, Socket Weld, Viton® Seals

Part Number	Poppet	Port Style	A	B	C	D	E	F
BA-37-P	Disk	3/8" socket	1.00	.94	.75	3.18	7.25	.18
BA-37-P-O	O-Ring	3/8" socket	1.00	.94	.75	3.18	7.25	.18
BA-50-P	Disk	1/2" socket	1.00	.94	.75	3.18	7.25	.18
BA-50-P-O	O-Ring	1/2" socket	1.00	.94	.75	3.18	7.25	.18
BA-75-P	Disk	3/4" socket	1.37	1.31	.87	3.75	8.00	.37
BA-75-P-O	O-Ring	3/4" socket	1.37	1.31	.87	3.75	8.00	.37
BA-112-P	Disk	1-1/8" socket	2.00	1.68	1.18	4.25	9.62	.37
BA-112-P-O	O-Ring	1-1/8" socket	2.00	1.68	1.18	4.25	9.62	.37
BA-162-P	Disk	1-5/8" socket	2.50	1.87	1.62	4.86	9.25	.37
BA-162-P-O	O-Ring	1-5/8" socket	2.50	1.87	1.62	4.86	9.25	.37
BA-200-P	Disk	2" socket	3.00	2.25	2.00	5.50	10.00	.50
BA-200-P-O	O-Ring	2" socket	3.00	2.25	2.00	5.50	10.00	.50
BA-212-P	Disk	2-1/8" socket	3.00	2.25	2.00	5.50	10.00	.50
BA-212-P-O	O-Ring	2-1/8" socket	3.00	2.25	2.00	5.50	10.00	.50



Pneumatic Disk Bellow Assembly



Pneumatic O-Ring Bellow Assembly

### Electropneumatic Disk Bellow Assemblies

Part Number	Fits Valve Series
DB-2-50	37,50
DB-2-75	75
DB-2-112	112
DB-2-162	162
DB-2-200	200,212

### Electropneumatic O-Ring Bellow Assemblies

Part Number	Fits Valve Series
OB-2-50	37,50
OB-2-75	75
OB-2-112	112
OB-2-162	162
OB-2-200	200,212

### Electropneumatic Disk Replacement Seal Kits

Part Number	Fits Valve Series
OR-DB-2-50	37,50
OR-DB-2-75	75
OR-DB-2-112	112
OR-DB-2-162	162
OR-DB-2-200	200,212

### Electropneumatic O-Ring Replacement Kits

Part Number	Fits Valve Series
OR-OB-2-50	37,75
OR-OB-2-75	75
OR-OB-2-112	112
OR-OB-2-162	162
OR-OB-2-200	200,212

### Valve Options

Description	Option Code
Reed Switches	-LS
Spring loaded air cylinder	-S
24 Volt DC solenoid	-24VDC
24 Volt AC solenoid	-24VAC
220 Volt AC solenoid	-220VAC
No solenoid	-NS

\* = Add option code to suffix of valve part number





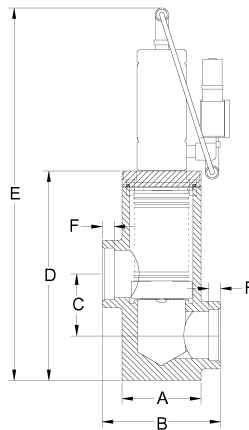
# Brass Valves

## Inline Valves, Brass, Electropneumatic, Socket Weld, Viton® Seals

Part Number	Poppet	Port Style	A	B	C	D	E	F
<b>BL-37-P</b>	Disk	3/8" Socket	1.00	1.81	.62	3.50	7.62	.18
<b>BL-37-P-O</b>	O-Ring	3/8" Socket	1.00	1.81	.62	3.50	7.62	.18
<b>BL-50-P</b>	Disk	1/2" Socket	1.00	1.81	.62	3.50	7.62	.18
<b>BL-50-P-O</b>	O-Ring	1/2" Socket	1.00	1.81	.62	3.50	7.62	.18
<b>BL-75-P</b>	Disk	3/4" Socket	1.37	2.62	.84	4.43	8.62	.37
<b>BL-75-P-O</b>	O-Ring	3/4" Socket	1.37	2.62	.84	4.43	8.62	.37
<b>BL-112-P</b>	Disk	1-1/8" Socket	2.00	3.37	1.28	5.25	9.62	.37
<b>BL-112-P-O</b>	O-Ring	1-1/8" Socket	2.00	3.37	1.28	5.25	9.62	.37
<b>BL-162-P</b>	Disk	1-5/8" Socket	2.50	3.75	1.93	7.05	11.00	.37
<b>BL-162-P-O</b>	O-Ring	1-5/8" Socket	2.50	3.75	1.93	7.05	11.00	.37
<b>BL-200-P</b>	Disk	2" Socket	3.00	4.62	2.00	7.05	11.37	.50
<b>BL-200-P-O</b>	O-Ring	2" Socket	3.00	4.62	2.00	7.05	11.37	.50
<b>BL-212-P</b>	Disk	2-1/8" Socket	3.00	4.62	2.00	7.05	11.37	.50
<b>BL-212-P-O</b>	O-Ring	2-1/8" Socket	3.00	4.62	2.00	7.05	11.37	.50



**Electropneumatic Disk Bellow Assembly**



**Electropneumatic O-Ring Bellow Assembly**

### Electropneumatic Disk Bellow Assemblies

Part Number	Fits Valve Series
<b>DB-2-50</b>	37,50
<b>DB-2-75</b>	75
<b>DB-2-112</b>	112
<b>DB-2-162</b>	162
<b>DB-2-200</b>	200,212

### Electropneumatic O-Ring Bellow Assemblies

Part Number	Fits Valve Series
<b>OB-2-50</b>	37,50
<b>OB-2-75</b>	75
<b>OB-2-112</b>	112
<b>OB-2-162</b>	162
<b>OB-2-200</b>	200,212

### Electropneumatic Disk Replacement Seal Kits

Part Number	Fits Valve Series
<b>OR-DB-2-50</b>	37,50
<b>OR-DB-2-75</b>	75
<b>OR-DB-2-112</b>	112
<b>OR-DB-2-162</b>	162
<b>OR-DB-2-200</b>	200,212

### Electropneumatic O-Ring Replacement Kits

Part Number	Fits Valve Series
<b>OR-OB-2-50</b>	37,75
<b>OR-OB-2-75</b>	75
<b>OR-OB-2-112</b>	112
<b>OR-OB-2-162</b>	162
<b>OR-OB-2-200</b>	200,212

### Valve Options

Description	Option Code
Reed Switches	<b>-LS</b>
Spring loaded air cylinder	<b>-S</b>
24 Volt DC solenoid	<b>-24VDC</b>
24 Volt AC solenoid	<b>-24VAC</b>
220 Volt AC solenoid	<b>-220VAC</b>
No solenoid	<b>-NS</b>

\* = Add option code to suffix of valve part number



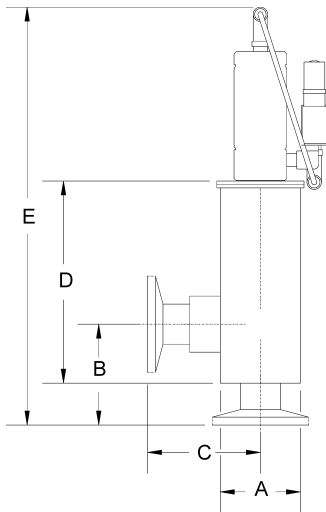
# Brass Valves

## Right Angle Valves, Brass, Electropneumatic, NW Flanges, Viton® Seals

Part Number	Poppet Seal	Port Style	A	B	C	D	E
BA-37-P-K	Disk	NW 10	1.00	1.37	1.37	3.91	8.00
BA-37-P-K-O	O-Ring	NW 10	1.00	1.37	1.37	3.91	8.00
BA-50-P-K	Disk	NW 16	1.00	1.37	1.37	3.91	8.00
BA-50-P-K-O	O-Ring	NW 16	1.00	1.37	1.37	3.91	8.00
BA-75-P-K	Disk	NW 16	1.37	1.56	1.56	4.41	8.62
BA-75-P-K-O	O-Ring	NW 16	1.37	1.56	1.56	4.41	8.62
BA-112-P-K	Disk	NW 25	2.00	1.87	1.87	4.87	9.37
BA-112-P-K-O	O-Ring	NW 25	2.00	1.87	1.87	4.87	9.37
BA-162-P-K	Disk	NW 40	2.50	2.37	2.37	5.56	9.87
BA-162-P-K-O	O-Ring	NW 40	2.50	2.37	2.37	5.56	9.87
BA-200-P-K	Disk	NW 50	3.00	2.37	2.37	5.82	10.25
BA-200-P-K-O	O-Ring	NW 50	3.00	2.37	2.37	5.82	10.25



Electropneumatic Disk Bellow Assembly



Electropneumatic O-Ring Bellow Assembly

### Electropneumatic Disk Bellow Assemblies

Part Number	Fits Valve Series
DB-2-50	37,50
DB-2-75	75
DB-2-112	112
DB-2-162	162
DB-2-200	200,212

### Electropneumatic O-Ring Bellow Assemblies

Part Number	Fits Valve Series
OB-2-50	37,50
OB-2-75	75
OB-2-112	112
OB-2-162	162
OB-2-200	200,212

### Electropneumatic Disk Replacement Seal Kits

Part Number	Fits Valve Series
OR-DB-2-50	37,50
OR-DB-2-75	75
OR-DB-2-112	112
OR-DB-2-162	162
OR-DB-2-200	200,212

### Electropneumatic O-Ring Replacement Kits

Part Number	Fits Valve Series
OR-OB-2-50	37,75
OR-OB-2-75	75
OR-OB-2-112	112
OR-OB-2-162	162
OR-OB-2-200	200,212

### Valve Options

Description	Option Code
Reed Switches	-LS
Spring loaded air cylinder	-S
24 Volt DC solenoid	-24VDC
24 Volt AC solenoid	-24VAC
220 Volt AC solenoid	-220VAC
No solenoid	-NS

\* = Add option code to suffix of valve part number



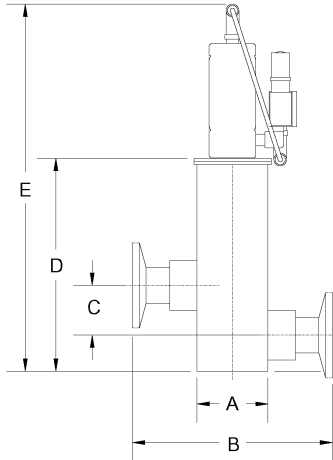
# Brass Valves

## Inline Valves, Brass, Electropneumatic, NW Flanges, Viton® Seals

Part Number	Poppet	Port Style	A	B	C	D	E
<b>BL-37-P-K</b>	Disk	NW 10	1.00	2.56	.62	3.50	7.62
<b>BL-37-P-K-O</b>	O-Ring	NW 10	1.00	2.56	.62	3.50	7.62
<b>BL-50-P-K</b>	Disk	NW 16	1.00	2.56	.62	3.50	7.62
<b>BL-50-P-K-O</b>	O-Ring	NW 16	1.00	2.56	.62	3.50	7.62
<b>BL-75-P-K</b>	Disk	NW 16	1.37	3.87	.84	4.43	8.62
<b>BL-75-P-K-O</b>	O-Ring	NW 16	1.37	3.87	.84	4.43	8.62
<b>BL-112-P-K</b>	Disk	NW 25	2.00	4.56	1.28	5.25	9.62
<b>BL-112-P-K-O</b>	O-Ring	NW 25	2.00	4.56	1.28	5.25	9.62
<b>BL-162-P-K</b>	Disk	NW 40	2.50	5.25	1.93	7.05	11.00
<b>BL-162-P-K-O</b>	O-Ring	NW 40	2.50	5.25	1.93	7.05	11.00
<b>BL-200-P-K</b>	Disk	NW 50	3.00	5.37	2.00	7.05	11.37
<b>BL-200-P-K-O</b>	O-Ring	NW 50	3.00	5.37	2.00	7.05	11.37



**Electropneumatic Disk Bellow Assembly**



**Electropneumatic O-Ring Bellow Assembly**

### Electropneumatic Disk Bellow Assemblies

Part Number	Fits Valve Series
<b>DB-2-50</b>	37,50
<b>DB-2-75</b>	75
<b>DB-2-112</b>	112
<b>DB-2-162</b>	162
<b>DB-2-200</b>	200,212

### Electropneumatic O-Ring Bellow Assemblies

Part Number	Fits Valve Series
<b>OB-2-50</b>	37,50
<b>OB-2-75</b>	75
<b>OB-2-112</b>	112
<b>OB-2-162</b>	162
<b>OB-2-200</b>	200,212

### Electropneumatic Disk Replacement Seal Kits

Part Number	Fits Valve Series
<b>OR-DB-2-50</b>	37,50
<b>OR-DB-2-75</b>	75
<b>OR-DB-2-112</b>	112
<b>OR-DB-2-162</b>	162
<b>OR-DB-2-200</b>	200,212

### Electropneumatic O-Ring Replacement Kits

Part Number	Fits Valve Series
<b>OR-OB-2-50</b>	37,75
<b>OR-OB-2-75</b>	75
<b>OR-OB-2-112</b>	112
<b>OR-OB-2-162</b>	162
<b>OR-OB-2-200</b>	200,212

### Valve Options

Description	Option Code
Reed Switches	<b>-LS</b>
Spring loaded air cylinder	<b>-S</b>
24 Volt DC solenoid	<b>-24VDC</b>
24 Volt AC solenoid	<b>-24VAC</b>
220 Volt AC solenoid	<b>-220VAC</b>
No solenoid	<b>-NS</b>

\* = Add option code to suffix of valve part number



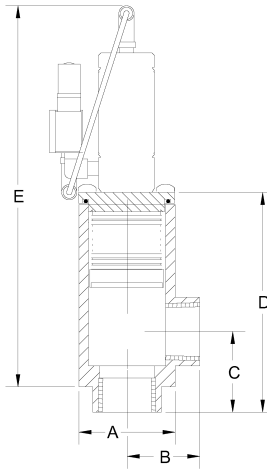
# Brass Valves

## Right Angle Valves, Brass, Electropneumatic, Female Pipe Thread, Viton® Seals

Part Number	Poppet Seal	Port Style	A	B	C	D	E
<b>BAP-12-P</b>	Disk	1/8" Female NPT	1.00	.94	.75	3.18	7.25
<b>BAP-12-P-O</b>	O-Ring	1/8" Female NPT	1.00	.94	.75	3.18	7.25
<b>BAP-25-P</b>	Disk	1/4" Female NPT	1.00	.94	.75	3.18	7.25
<b>BAP-25-P-O</b>	O-Ring	1/4" Female NPT	1.00	.94	.75	3.18	7.25
<b>BAP-37-P</b>	Disk	3/8" Female NPT	1.37	1.31	.87	4.41	8.62
<b>BAP-37-P-O</b>	O-Ring	3/8" Female NPT	1.37	1.31	.87	4.41	8.62
<b>BAP-50-P</b>	Disk	1/2" Female NPT	1.37	1.31	.87	4.41	8.62
<b>BAP-50-P-O</b>	O-Ring	1/2" Female NPT	1.37	1.31	.87	4.41	8.62
<b>BAP-75-P</b>	Disk	3/4" Female NPT	2.00	1.68	1.18	5.12	9.50
<b>BAP-75-P-O</b>	O-Ring	3/4" Female NPT	2.00	1.68	1.18	5.12	9.50
<b>BAP-100-P</b>	Disk	1" Female NPT	2.00	1.68	1.18	5.12	9.50
<b>BAP-100-P-O</b>	O-Ring	1" Female NPT	2.00	1.68	1.18	5.12	9.50
<b>BAP-150-P</b>	Disk	1-1/2" Female NPT	2-1/2"	2.62	2.37	5.75	10.25
<b>BAP-150-P-O</b>	O-Ring	1-1/2" Female NPT	2-1/2"	2.62	2.37	5.75	10.25



**Electropneumatic Disk Bellow Assembly**



**Electropneumatic O-Ring Bellow Assembly**

### Electropneumatic Disk Bellow Assemblies

Part Number	Fits Valve Series
<b>DB-2-50</b>	37,50
<b>DB-2-75</b>	75
<b>DB-2-112</b>	112
<b>DB-2-162</b>	162
<b>DB-2-200</b>	200,212

### Electropneumatic Disk Replacement Seal Kits

Part Number	Fits Valve Series
<b>OR-DB-2-50</b>	37,50
<b>OR-DB-2-75</b>	75
<b>OR-DB-2-112</b>	112
<b>OR-DB-2-162</b>	162
<b>OR-DB-2-200</b>	200,212

### Electropneumatic O-Ring Bellow Assemblies

Part Number	Fits Valve Series
<b>OB-2-50</b>	37,50
<b>OB-2-75</b>	75
<b>OB-2-112</b>	112
<b>OB-2-162</b>	162
<b>OB-2-200</b>	200,212

### Electropneumatic O-Ring Replacement Kits

Part Number	Fits Valve Series
<b>OR-OB-2-50</b>	37,75
<b>OR-OB-2-75</b>	75
<b>OR-OB-2-112</b>	112
<b>OR-OB-2-162</b>	162
<b>OR-OB-2-200</b>	200,212

### Valve Options

Description	Option Code
Reed Switches	<b>-LS</b>
Spring loaded air cylinder	<b>-S</b>
24 Volt DC solenoid	<b>-24VDC</b>
24 Volt AC solenoid	<b>-24VAC</b>
220 Volt AC solenoid	<b>-220VAC</b>
No solenoid	<b>-NS</b>

\* = Add option code to suffix of valve part number



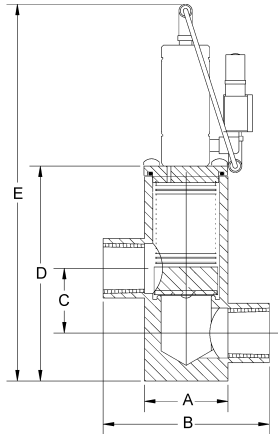
# Brass Valves

## Inline Valves, Brass, Electropneumatic, Female Pipe Thread, Viton® Seals

Part Number	Poppet	Port Style	A	B	C	D	E
<b>BLP-12-P</b>	Disk	1/8" Female NPT	1.00	1.81	.62	3.50	7.62
<b>BLP-12-P-O</b>	O-Ring	1/8" Female NPT	1.00	1.81	.62	3.50	7.62
<b>BLP-25-P</b>	Disk	1/4" Female NPT	1.00	1.81	.62	3.50	7.62
<b>BLP-25-P-O</b>	O-Ring	1/4" Female NPT	1.00	1.81	.62	3.50	7.62
<b>BLP-37-P</b>	Disk	3/8" Female NPT	1.37	3.87	.84	4.43	8.62
<b>BLP-37-P-O</b>	O-Ring	3/8" Female NPT	1.37	3.87	.84	4.43	8.62
<b>BLP-50-P</b>	Disk	1/2" Female NPT	1.37	4.56	1.28	5.25	9.62
<b>BLP-50-P-O</b>	O-Ring	1/2" Female NPT	1.37	4.56	1.28	5.25	9.62
<b>BLP-75-P</b>	Disk	3/4" Female NPT	2.00	3.37	1.93	5.25	9.62
<b>BLP-75-P-O</b>	O-Ring	3/4" Female NPT	2.00	3.37	1.93	5.25	9.62
<b>BLP-100-P</b>	Disk	1" Female NPT	2.00	3.37	1.93	5.25	9.62
<b>BLP-100-P-O</b>	O-Ring	1" Female NPT	2.00	3.37	1.93	5.25	9.62
<b>BLP-150-P</b>	Disk	1-1/2" Female NPT	2.00	3.75	1.93	7.05	11.00
<b>BLP-150-P-O</b>	O-Ring	1-1/2" Female NPT	2.00	3.75	1.93	7.05	11.00



**Electropneumatic Disk Bellow Assembly**



**Electropneumatic O-Ring Bellow Assembly**

### Electropneumatic Disk Bellow Assemblies

Part Number	Fits Valve Series
<b>DB-2-50</b>	37,50
<b>DB-2-75</b>	75
<b>DB-2-112</b>	112
<b>DB-2-162</b>	162
<b>DB-2-200</b>	200,212

### Electropneumatic Disk Replacement Seal Kits

Part Number	Fits Valve Series
<b>OR-DB-2-50</b>	37,50
<b>OR-DB-2-75</b>	75
<b>OR-DB-2-112</b>	112
<b>OR-DB-2-162</b>	162
<b>OR-DB-2-200</b>	200,212

### Electropneumatic O-Ring Bellow Assemblies

Part Number	Fits Valve Series
<b>OB-2-50</b>	37,50
<b>OB-2-75</b>	75
<b>OB-2-112</b>	112
<b>OB-2-162</b>	162
<b>OB-2-200</b>	200,212

### Electropneumatic O-Ring Replacement Kits

Part Number	Fits Valve Series
<b>OR-OB-2-50</b>	37,75
<b>OR-OB-2-75</b>	75
<b>OR-OB-2-112</b>	112
<b>OR-OB-2-162</b>	162
<b>OR-OB-2-200</b>	200,212

### Valve Options

Description	Option Code
Reed Switches	<b>-LS</b>
Spring loaded air cylinder	<b>-S</b>
24 Volt DC solenoid	<b>-24VDC</b>
24 Volt AC solenoid	<b>-24VAC</b>
220 Volt AC solenoid	<b>-220VAC</b>
No solenoid	<b>-NS</b>

\* = Add option code to suffix of valve part number

